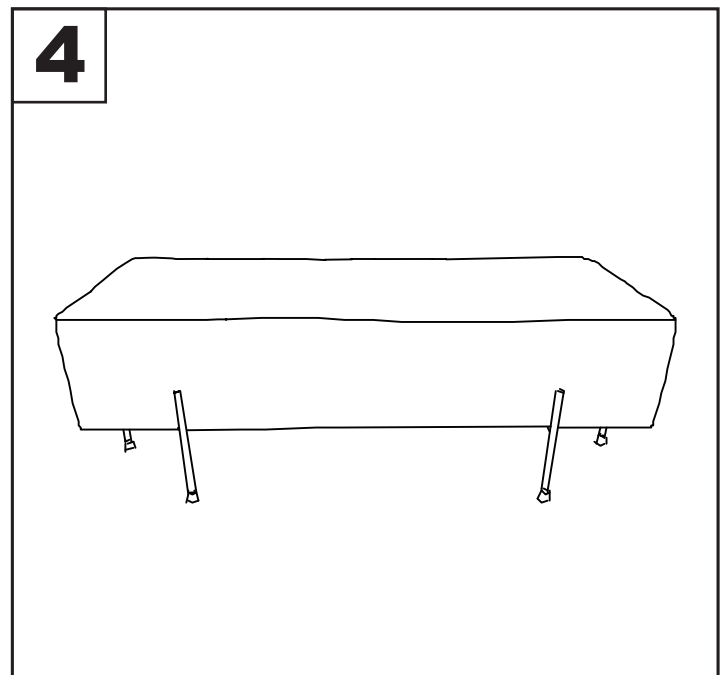
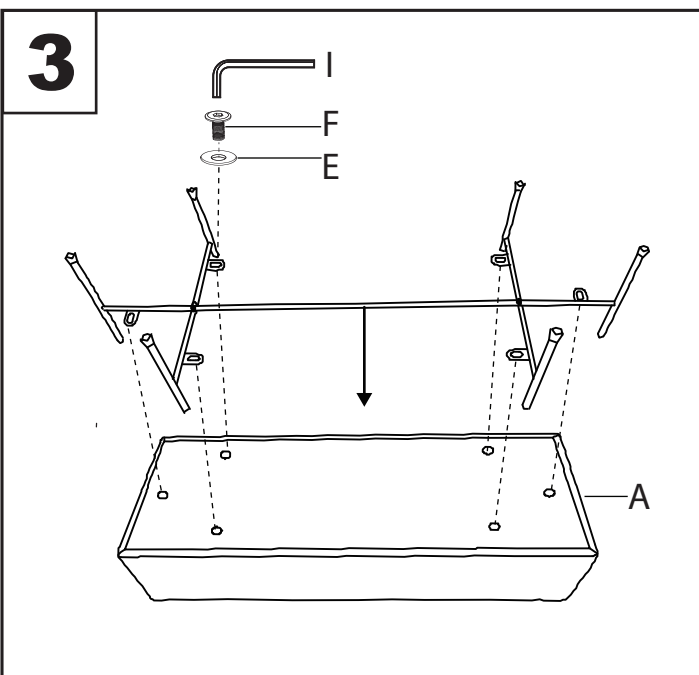
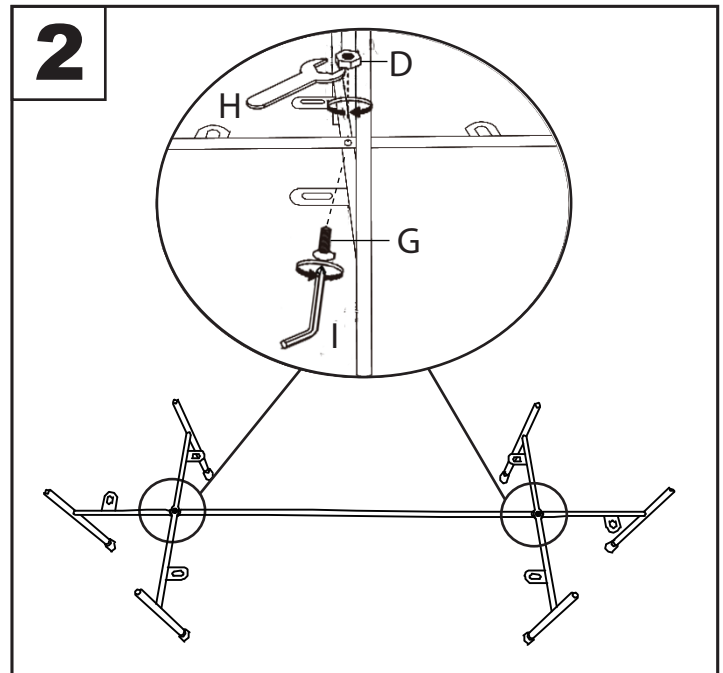
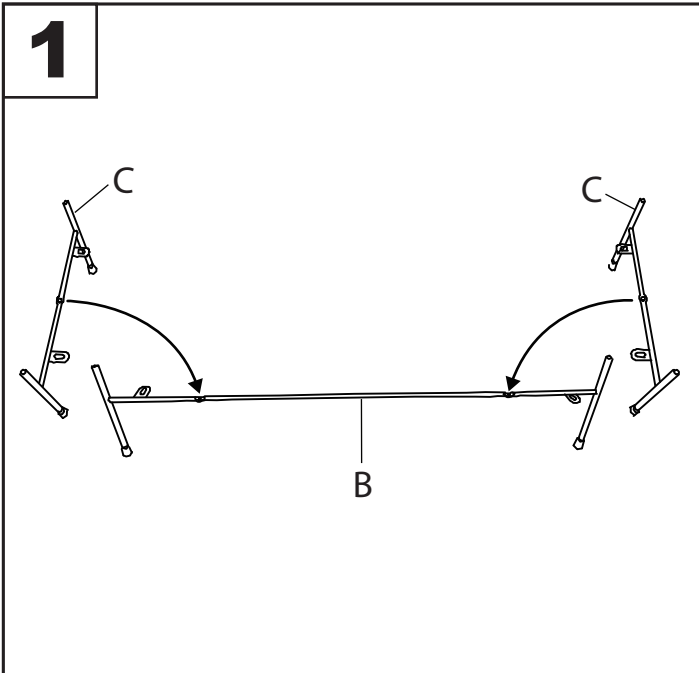
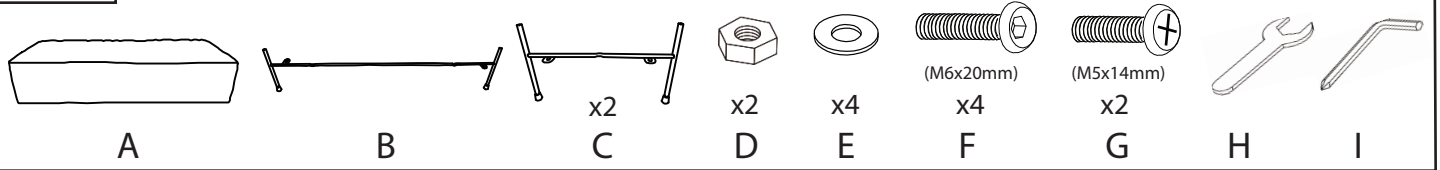


Part # BC-DNLA XX

19-0103

PARTS



Do not over tighten.
 Do not use power tools to assemble.